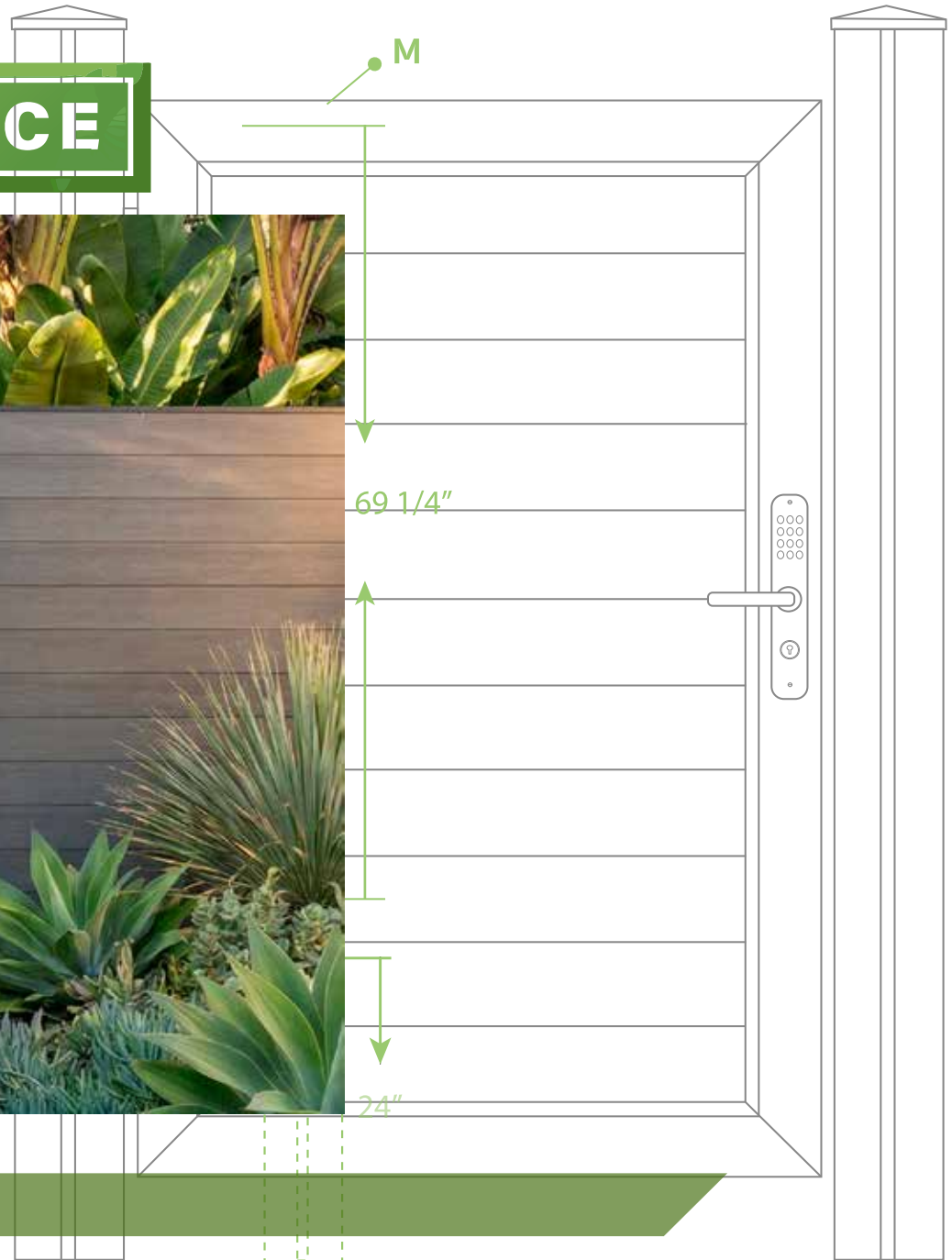


**THE  
ECO  
FENCE**

**THE ECO FENCE**

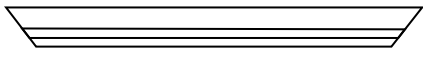
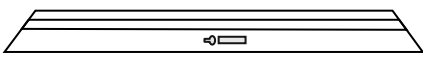
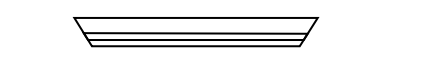


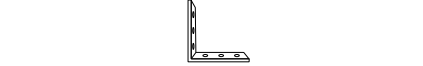

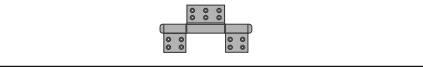

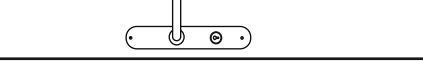




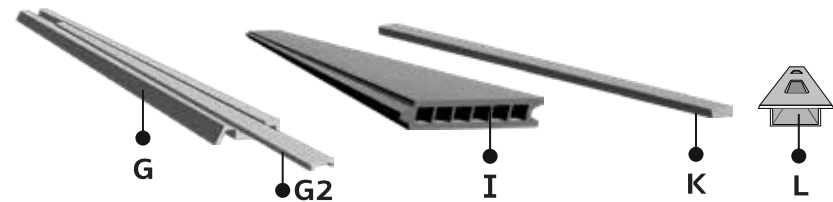
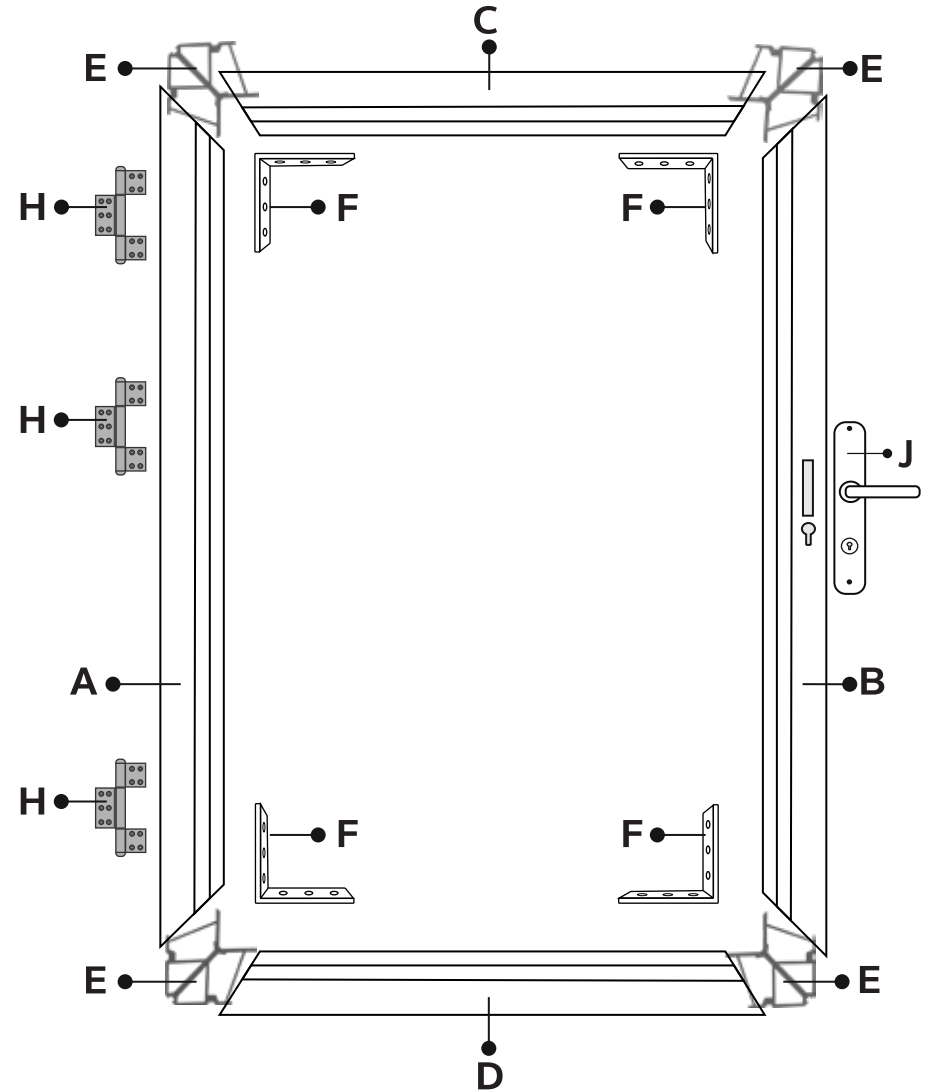
[theecofence.com](http://theecofence.com)

[info@theecofence.com](mailto:info@theecofence.com)

# The Eco Fence Pedestrian Gate Kit Installation Guide

## Parts Included in the Kit:

<b>A.</b> One Side Gate Frame	
<b>B.</b> One Side Gate Frame with Key Hole	
<b>C.</b> One Top Gate Frame	
<b>D.</b> One Bottom Gate Frame	
<b>E.</b> Four Structural Angle Brackets with 8 Screws	
<b>F.</b> Four L Brackets with 24 Screws	
<b>G.</b> Four Edge Strips with Four Cover Strips G2	
<b>H.</b> Three Heavy Duty Hinges with 42 SS Screws	
<b>I.</b> Eleven Boards	
<b>J.</b> One Set of Door Lock	
<b>K.</b> One Door Stop	
<b>L.</b> Lock Plate	

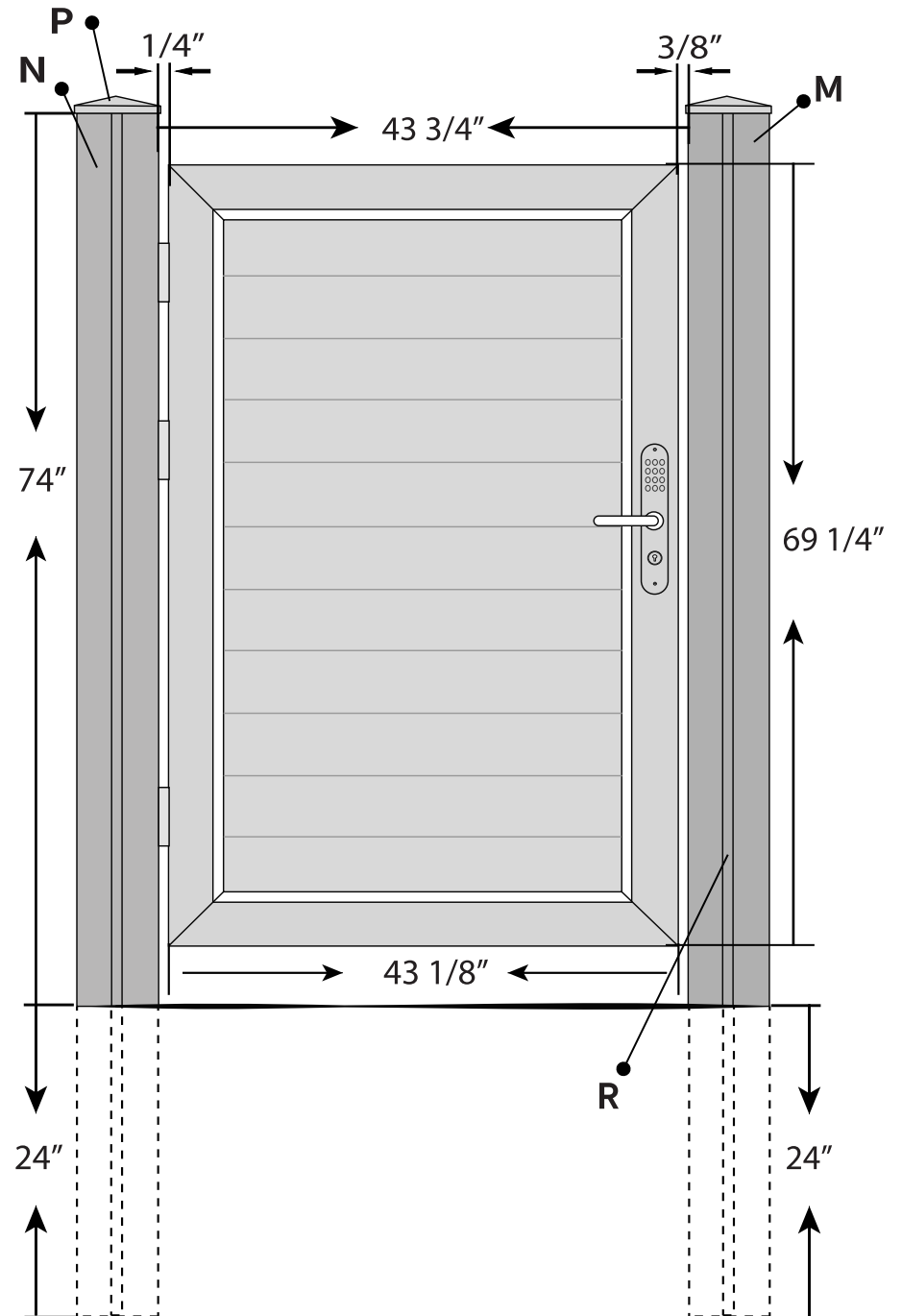


## Pedestrian Gate & Post Dimensions and Spacing

### Posts and Post Parts:

<b>M.</b> One Aluminum Post
<b>N.</b> One Aluminum Gate Bearing Post
<b>P.</b> Two Post Caps
<b>R.</b> Two Post Infills

Note: Identify the **Bearing Post** (N) by its lack of a keyhole. It is a heavy-duty component designed with extra weight to carry the gate load; ensure you mount the hinges to this post to properly support the gate load.



## Assembling the Gate Frame

**Step 1:** Lay four gate frames (A, B, C, D) on a level surface.

**Step 2:** Insert the Structural Angle Brackets (E) into the gate frame.

Measure diagonally across the frame; if measurements are equal, the frame is square.

Once squared, securely fasten the connections with screws.

**Step 3:** Position the L-brackets (F) on the inside corners of the gate frame, securely fasten the brackets with screws.

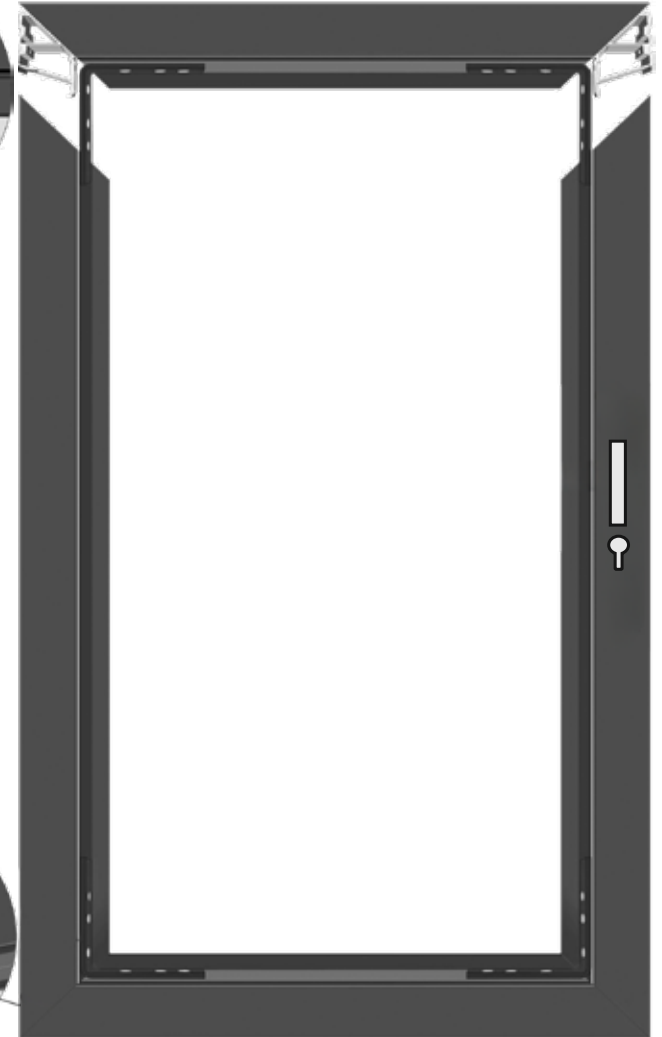
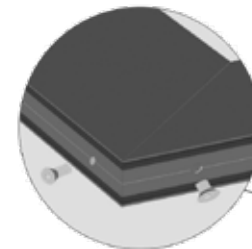
### List of Parts Needed:

A. One Side Gate Frame
B. One Side Gate Frame with Key Hole
C. One Top Gate Frame
D. One Bottom Gate Frame
E. Four Structural Angle Brackets with 8 Screws
F. Four L Brackets with 24 Screws

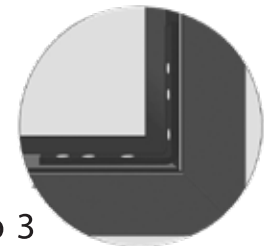
Step 1



Step 2



Step 3



## Assembling the Gate Boards

**Step 1:** Insert the composite boards (I) into the gate frame. If needed, trim the boards to ensure a proper fit.

**Step 2:** Remove the Decorative Strip (G2) from the Edge Strip (G).

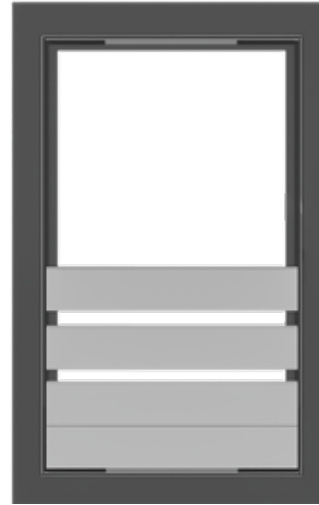
**Step 3:** Insert the Edge Strip (G) into the frame using a rubber mallet. Optionally, you can put two screws into the Edge Strip.

**Step 4:** Knock the Decorative Strip (G2) into the Edge Strip (G).

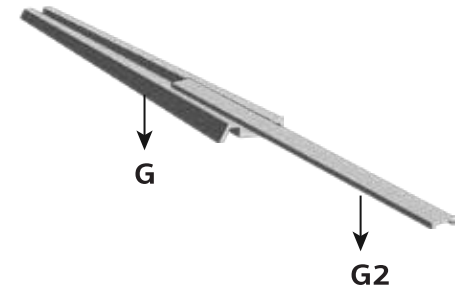
### List of Parts Needed:

- |            |                        |
|------------|------------------------|
| <b>I.</b>  | Eleven Boards          |
| <b>G.</b>  | Four Edge Strips       |
| <b>G2.</b> | Four Decorative Strips |

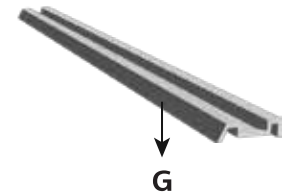
Step 1



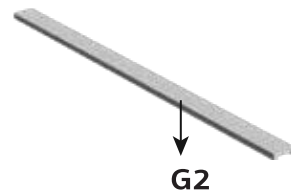
Step 2



Step 3



Step 4



## Installing the Hinges and Mounting the Gate to the Post

**Important:** Identify the **Bearing Post (N)** by its lack of a keyhole. It is a heavy-duty component designed with extra weight to carry the gate load; **ensure you mount the hinges to this post to properly support the gate load.**

**Step 1:** Attach the hinges (H) to the door frame on the side that matches your **swing direction**. Confirm whether the door will swing **in** or **out**, and position the hinges accordingly. Refer to Diagram ① for hinge spacing.

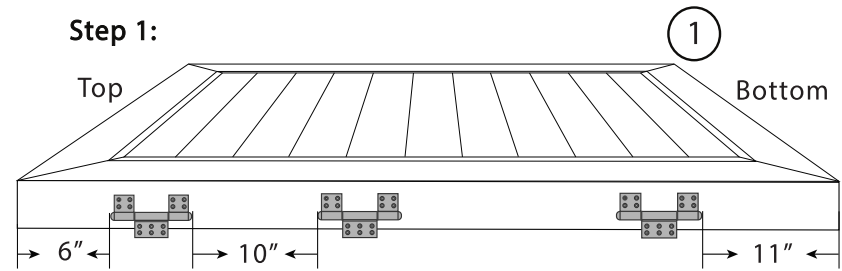
**Note:** Install the hinges on the **flat side** of the post, not the sides with infill channels.

**Step 2:** Position the door - with the hinges already attached, parallel to the post. Ensure the door is perfectly vertical, then fasten the hinges to the post.

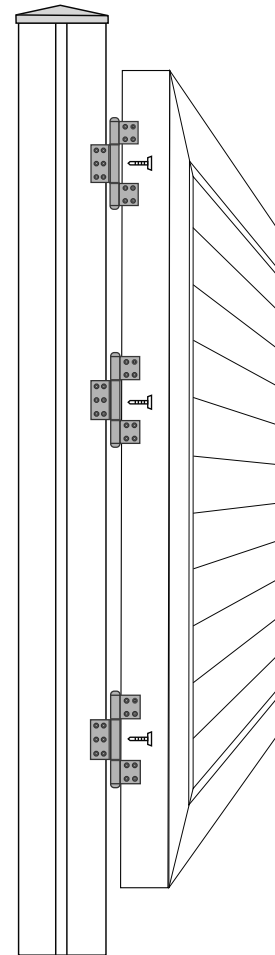
### List of Parts Needed:

**H.** Three Heavy Duty Hinges with 42 Stainless Steel Screws

**N.** One Aluminum **Gate Bearing Post 98"**



Step 2:



## Gate Lock Installation

Assemble the lock according to the diagram ①

### Sliding Lock Plate (L) Installation:

**Step 1:** Position the Lock Plate (L) inside the post channel so it aligns with the lock on the door. Measure the distance from the bottom of the post to the bottom of the sliding plate, then cut Infill #1 to that same length. Repeat the process for Infill #2.

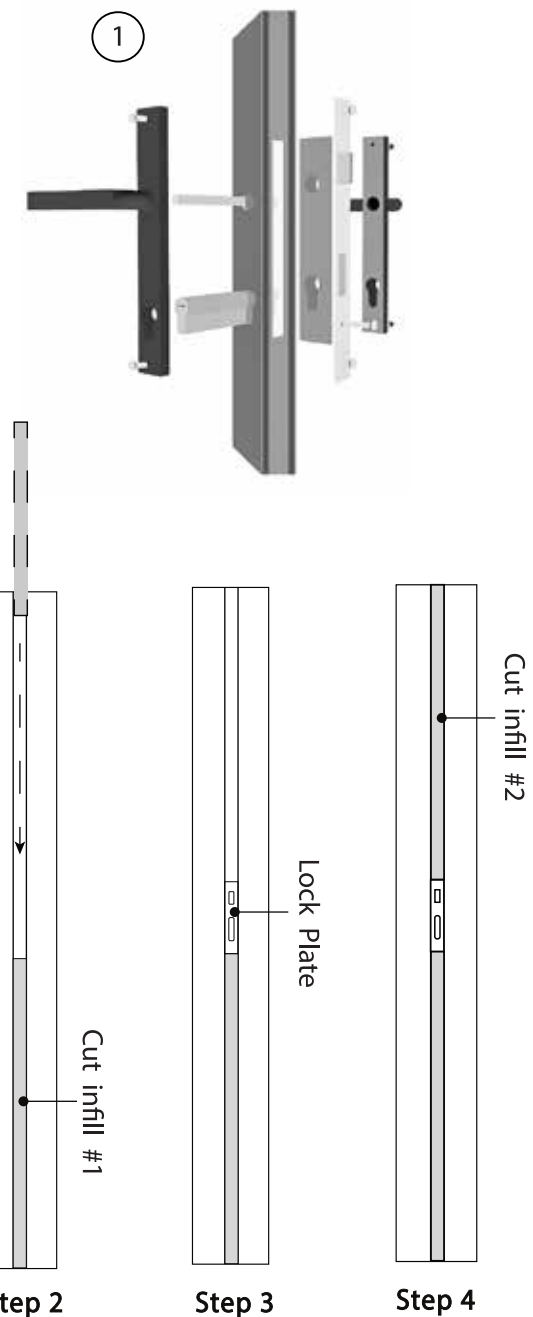
**Step 2:** Slide the Cut Infill #1 into the post channel.

**Step 3:** Place the Lock Plate (L) in the post channel.

**Step 4:** Slide the Cut Infill #2 into the post channel.

### List of Parts Needed:

<b>J.</b> Door Lock Set
<b>M.</b> One Aluminum Post
<b>R.</b> One Post Infill
<b>L.</b> Lock Plate



## Gate Door Stop Installation

### Three Components of the Door Stop:

- K1 - Base
- K2 - Base Cover
- K3 - Rubber

**Step 1:** Attach the Door Stop Base (K1) to the post with screws, positioning it at the center of the post.

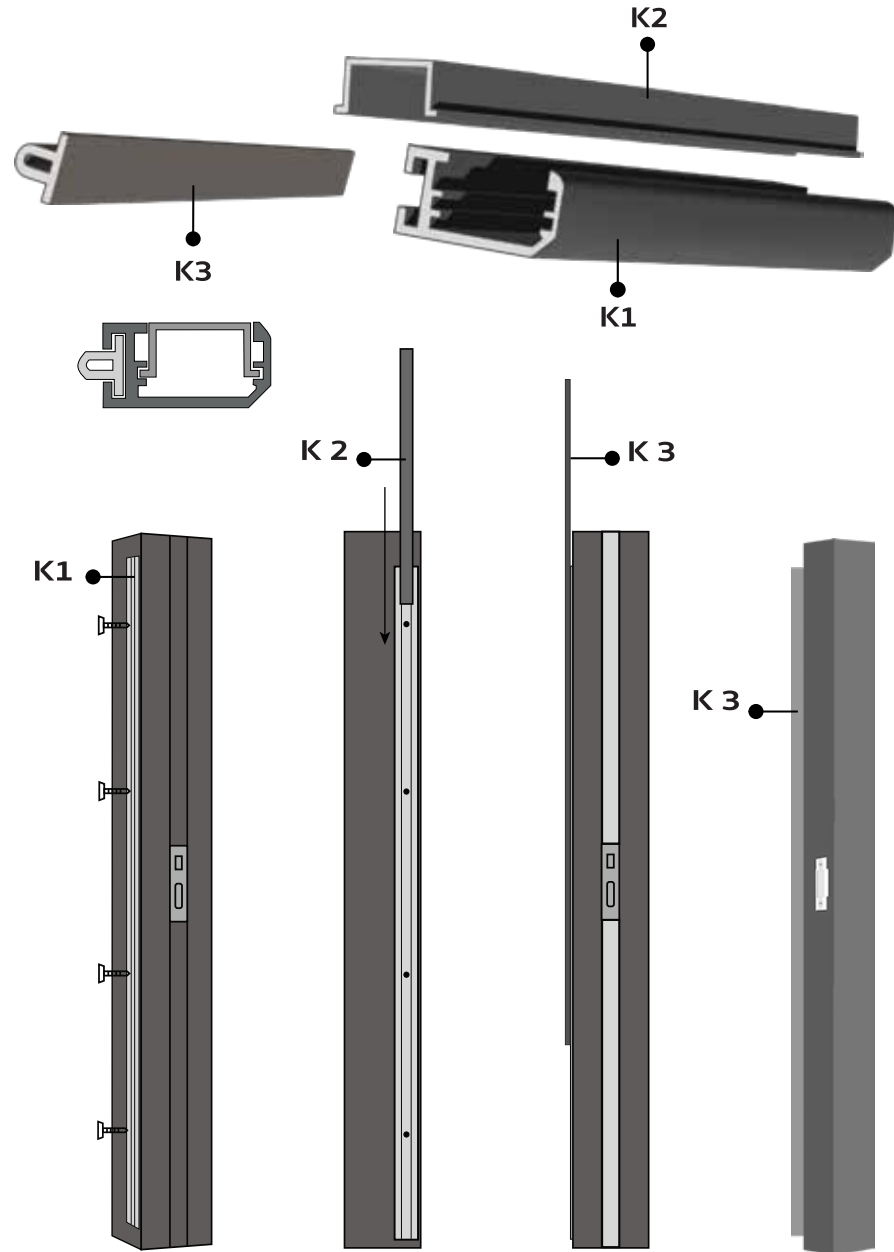
**Step 2:** Slide the Base Cover (K2) into the side channel of the Base (K1) to conceal the screws.

**Step 3:** Slide the Rubber Stop (K3) into the side channel of the Base (K1).

### List of Parts Needed:

**K.** Gate Door Stop

**M.** One Post with the Lock Plate





**THE ECO FENCE**



THE  
ECO  
FENCE

THE ECO FENCE



[theecofence.com](https://theecofence.com)  
[info@theecofence.com](mailto:info@theecofence.com)

